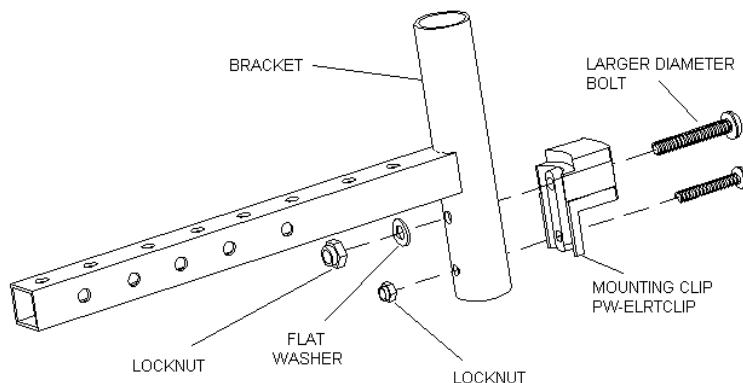
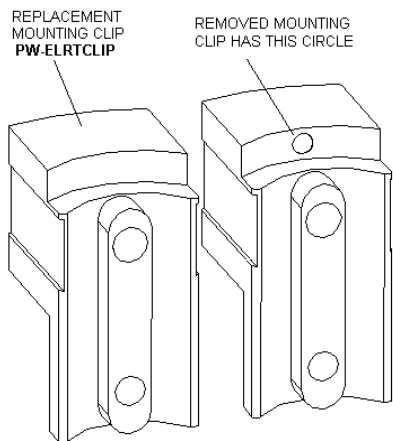
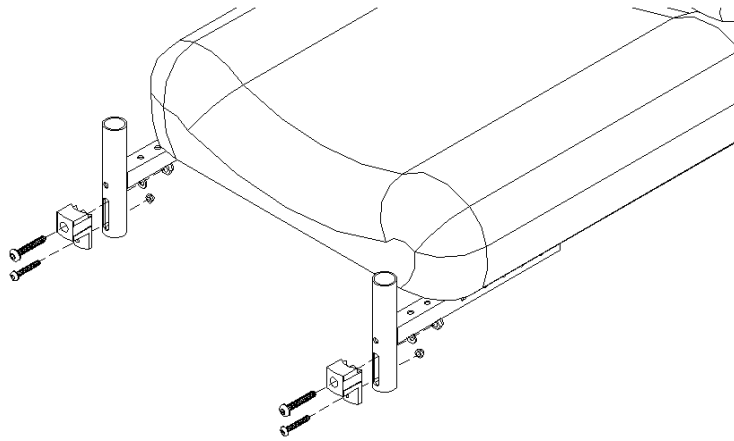


Elevating Leg Rest (ELR) Replacement Mounting Clip Installation

Instructions:



1. Remove the two bolts that fasten the mounting clip to the leg rest bracket. The part can then be removed from the bracket.
2. The replacement clip and the removed clip look identical, refer to FIG.2
3. Place the replacement mounting clip on the bracket (FIG.3).
4. Insert the larger diameter bolt into the hole with the counterbore and through the steel tubing. Place the flat washer on the bolt and thread the locknut on by hand (FIG.3).
5. Insert the smaller diameter bolt into the other hole and through the steel tubing. Thread the locknut on by hand. A flat washer is not used on this bolt (FIG.3).
6. Tighten the bolts with wrenches to secure the mounting clip to the bracket. **Do not over tighten the bolts.**
7. Repeat these steps on the opposite bracket.