

LM3000 FRAME

COMPONENTS	DESCRIPTION
LM3000	Lift Frame - Medium
LM3001	Lift Frame - Large
LM3002	Lift Frame - 24" Wide
LM3003	Lift Frame - 26" & 28" - Single Motors
LM3010	Lift Frame - Capri
LM3110	Power Recline Only
LM3111	Lift Frame - Dual Motor
LM3005-3001	Recline Bar - LM3001
LM3005-3002	Recline Bar - LM3002
LM3005-3003	Recline Bar - LM3003
LM3005-3010	Recline Bar - LM3010
LM3005-3111	Recline Bar - LM3111
LM3006-3000	Top Piece - LM3000
LM3006-3001	Top Piece - LM3001
LM3006-3002	Top Piece - LM3002
LM3006-3003	Top Piece - LM3003
LM3006-3010	Top Piece - LM3010
LM3006-3111	Top Piece - LM3111
LM3007-3000	Bottom Piece - LM3000
LM3007-3001	Bottom Piece - LM3001
LM3007-3002	Bottom Piece - LM3002
LM3007-3003	Bottom Piece - LM3003
LM3007-3010	Bottom Piece - LM3010
LM3007-3111	Bottom Piece - LM3111
LM3008-3000	U-Bar - LM3000
LM3008-3001	U-Bar - LM3001
LM3008-3002	U-Bar - LM3002
LM3008-3003	U-Bar - LM3003
LM3008-3010	U-Bar - LM3010
LM3008-3111	U-Bar - LM3111
LM3009	Off Set Brackets

MISC. PARTS

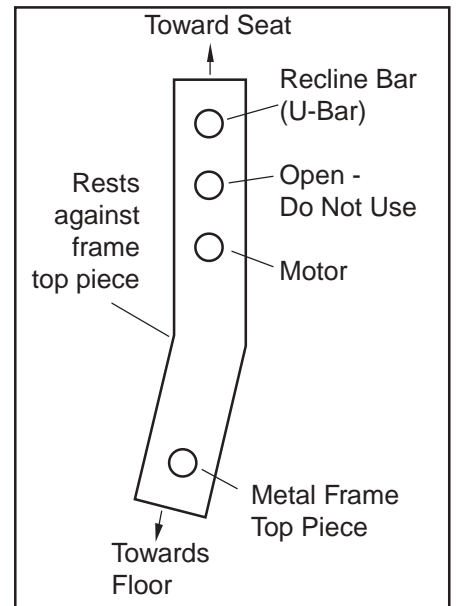
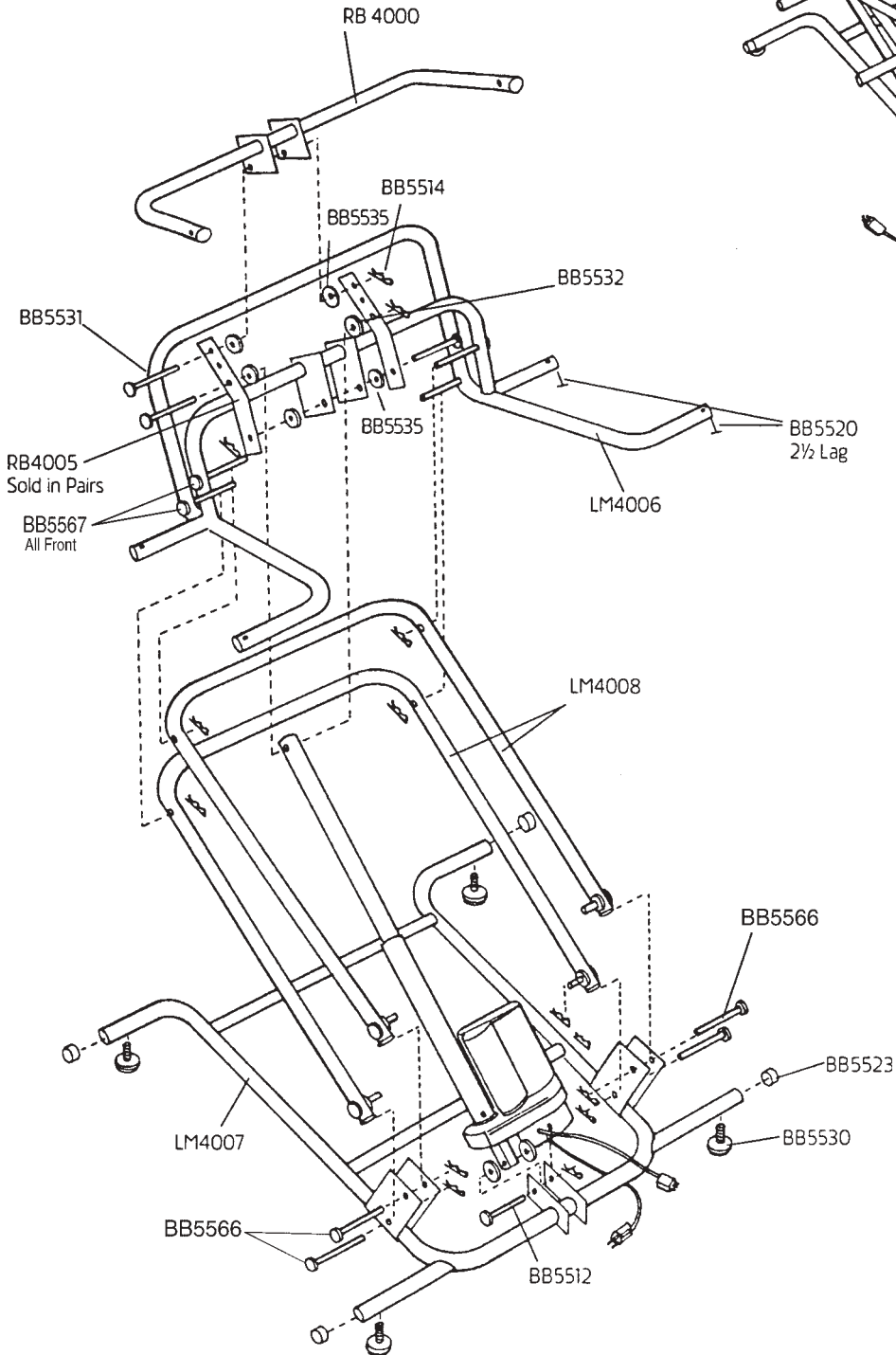
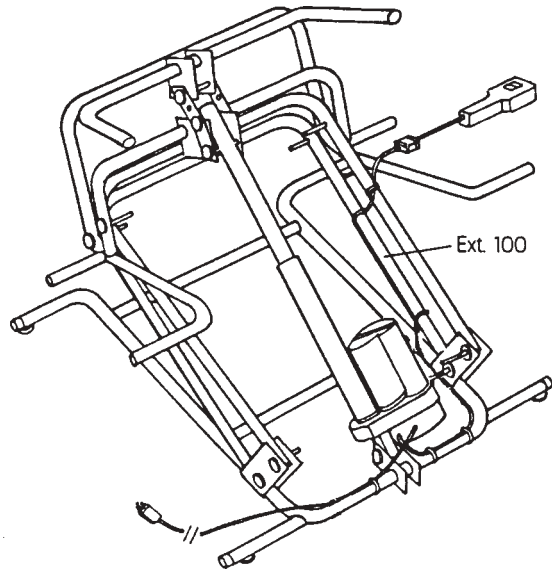
BB5003	Nylon Plastic Washer
BB5008	Brass Flange Bushing
BB5508	Steel Bushing
BB5512	Clevis Pin 1 5/8 x 3/8
BB5513	Clevis Pin 2 x 3/8
BB5514	Hair Pin
BB5515	End Cap 1 x 1
BB5516	End Cap 1 x 2
BB5517	Leg Leveler
BB5518	Ty Wrap
BB5520	Lag Screw 2 1/2
BB5521	Lag Screw 1 x 1/4
BB5529	Clevis Pin 3/8 x 1 7/8
HW2003	Switch Cord

LM4000 SERIES

Lift Frame • Black

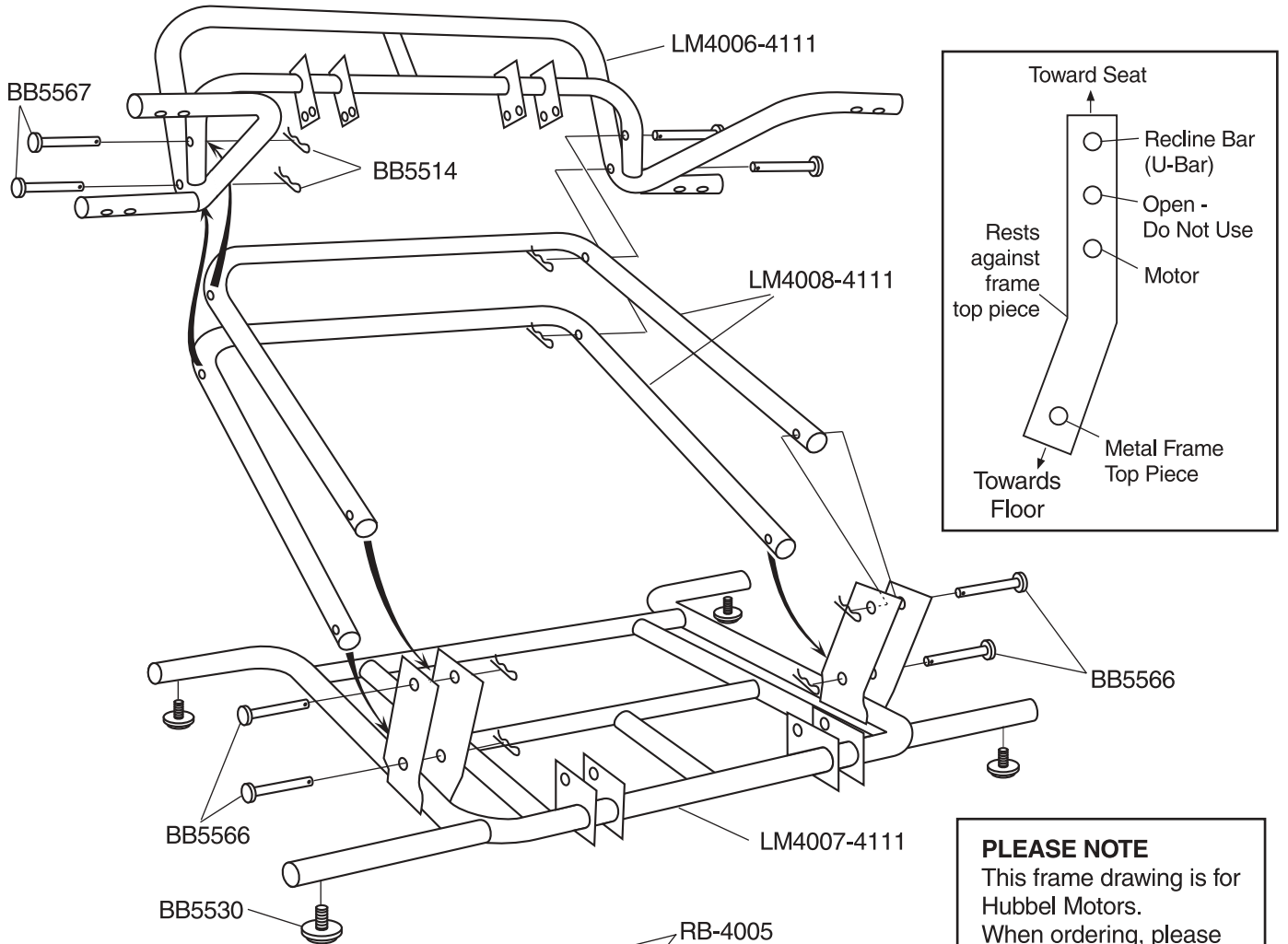
LM4000 Series

Please specify size of chair for correct size of lift frame or lift frame parts.

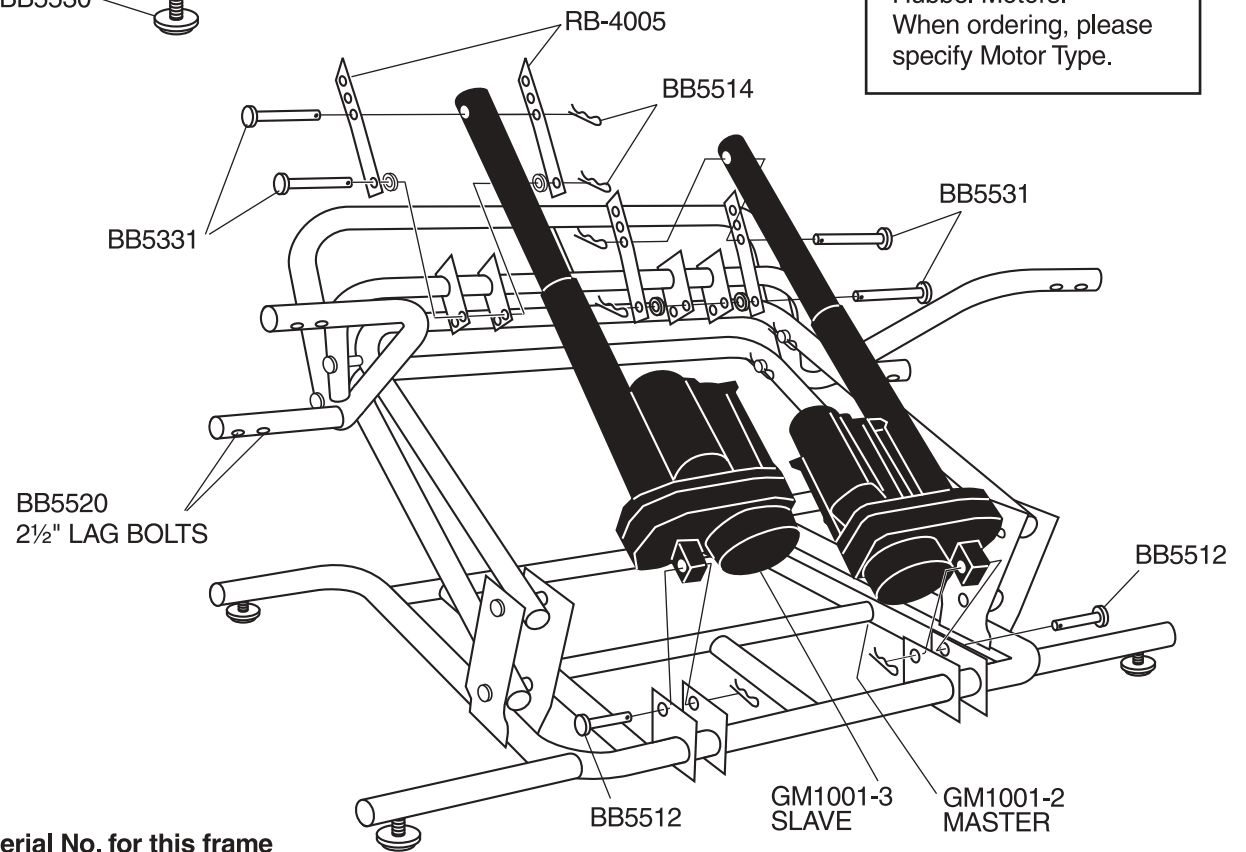


T or M designated serial no. for this frame

LM4111 SERIES DUAL MOTOR



PLEASE NOTE
 This frame drawing is for Hubbel Motors.
 When ordering, please specify Motor Type.



T Serial No. for this frame

LM4000 FRAME

COMPONENTS	DESCRIPTION
LM4000	Lift Frame - Medium
LM4001	Lift Frame - Lrg. & 24" Till Feb '98
LM4003	Lift Frame - 501M- 26 SM
LM4111	Lift Frame - Dual Motor
LM4120	Lift Frame - 751 & Large 1998
RB4000-330	Recline Bar - 330 Only
RB4000-C	Recline Bar - Capri Only
RB4000-S	Recline Bar - Small
RB4000-M	Recline Bar - Medium
RB4000-L	Recline Bar - Large
RB4001-EW	Recline Bar - 24" Wide
RB4005	Recline Bracket - Pair
LM4009	Recline Bar Hardware
LM4006-4000	Top Piece - LM4000
LM4006-4001	Top Piece - LM4001
LM4006-4111	Top Piece - LM4111
LM4006-4120	Top Piece - LM4120
LM4007-4000	Base Piece - LM4000
LM4007-4001	Base Piece - LM4001
LM4007-4111	Base Piece - LM4111
LM4007-4120	Base Piece - LM4120
LM4008-4000	U-Bar - LM4000
LM4008-4001	U-Bar - LM4001
LM4008-4111	U-Bar - LM4111
LM4008-4120	U-Bar - LM4120

MISC. PARTS

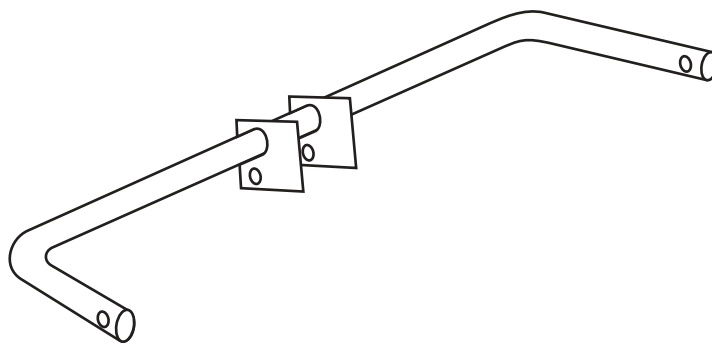
BB5512	Clevis Pin 1 5/8 x 3/8
BB5531	Clevis Pin 2 1/2 x 3/8
BB5556	Clevis Pin 3 1/2 x 3/8
BB5514	Hair Pin
BB5532	Nylon Washer 3/8 x 3/8 560 x 379 x 315
BB5535	Nylon Washer 1/8 x 3/8 750 x 394 x 125
BB5530	Leg Leveler 1 1/4 x 5/16
BB5523	End Cap 1" Outside
BB5543	End Cap 1" Inside
BB5566	3/8 x 1 3/4 Clevis Pin
BB5567	3/8 x 2 5/8 Clevis Pin

RECLINE BAR SIZING CHART

RB4000 SERIES

LM4000 Series recline bars are made of 14 gauge tubular steel.

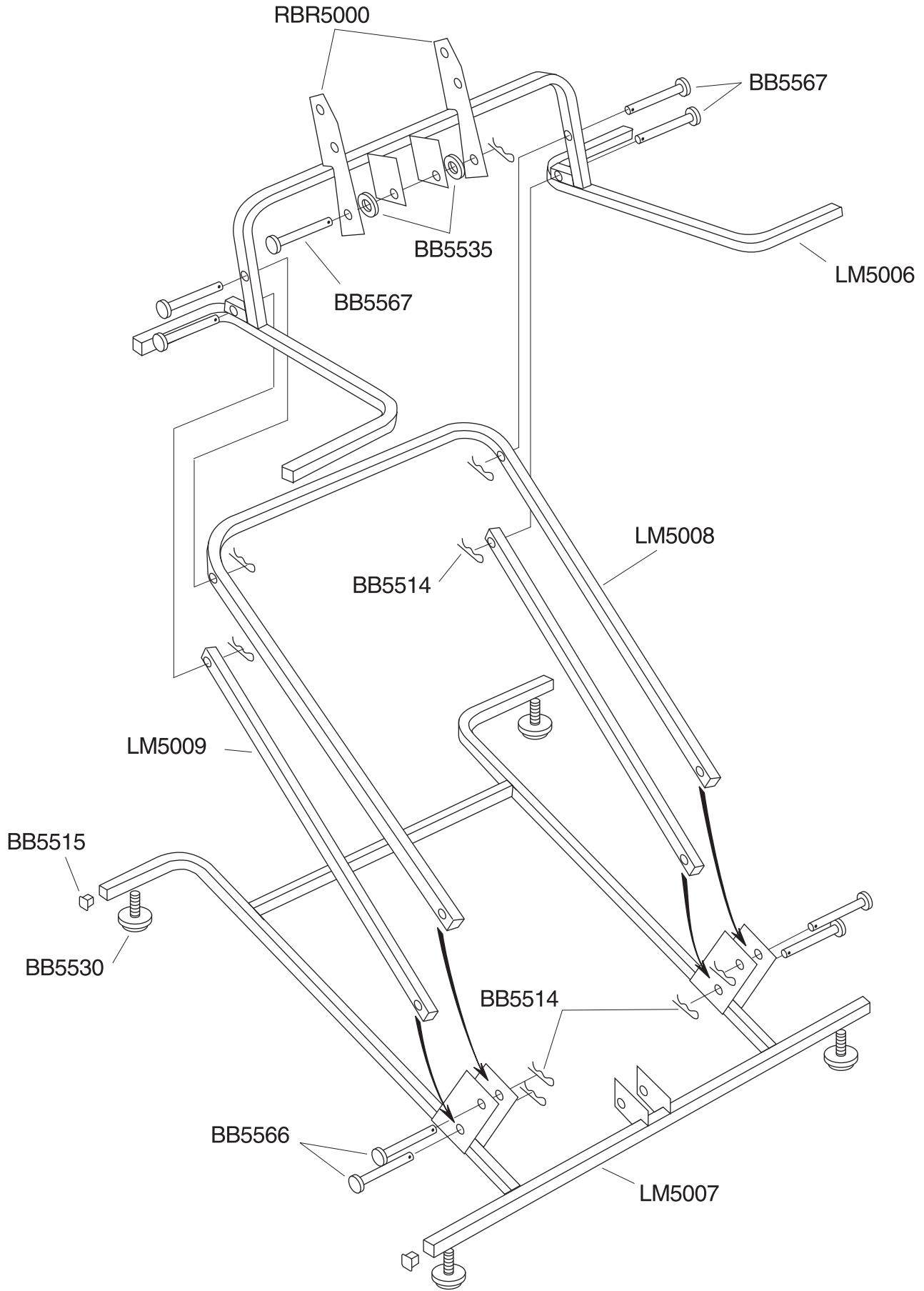
ITEM #	SIZE	STYLE OF CHAIR
RB 4000C	17 5/8 wide x 6 7/8	CAPRI
RB 4000S	17 5/8 wide x 7 7/8	430 SMALL



ITEM #	SIZE	STYLE OF CHAIR
* RB 4000SM	16 3/4 wide	501-533 SMALL
RB 4000M	17 3/4 wide	433M 533M 300S 300M CAPRI-3 500 700 750 751 8000
RB 4001	19 3/4 wide	433M 22, LARGE TALL 533L 300L 500L
RB 4001 EW	21 3/4 wide	433M 24, 433L 24, TALL 24, 533L 24 300L 24
RB 4111	23 3/4 wide	433M 26, 433L 26, TALL 26, 300L 26
RB 4003	M26 Wd Single Motor	
RB 753		753 PETITE

NOTE: Currently our recline bars are straight like above drawing, unlike older design. The curve was not necessary.

LM5000 SERIES



LM5000 FRAME

COMPONENTS	DESCRIPTION
LM5000	Capri Lift Frame - As of 2-97
LM5006-5000	Top Piece
LM5007-5000	Bottom Base
LM5008-5000	U-Bar
LM5009-5000	Straight Bars
RB5000-C	Recline Bar - Capri
RBR5000	Recline Bracket - Pair

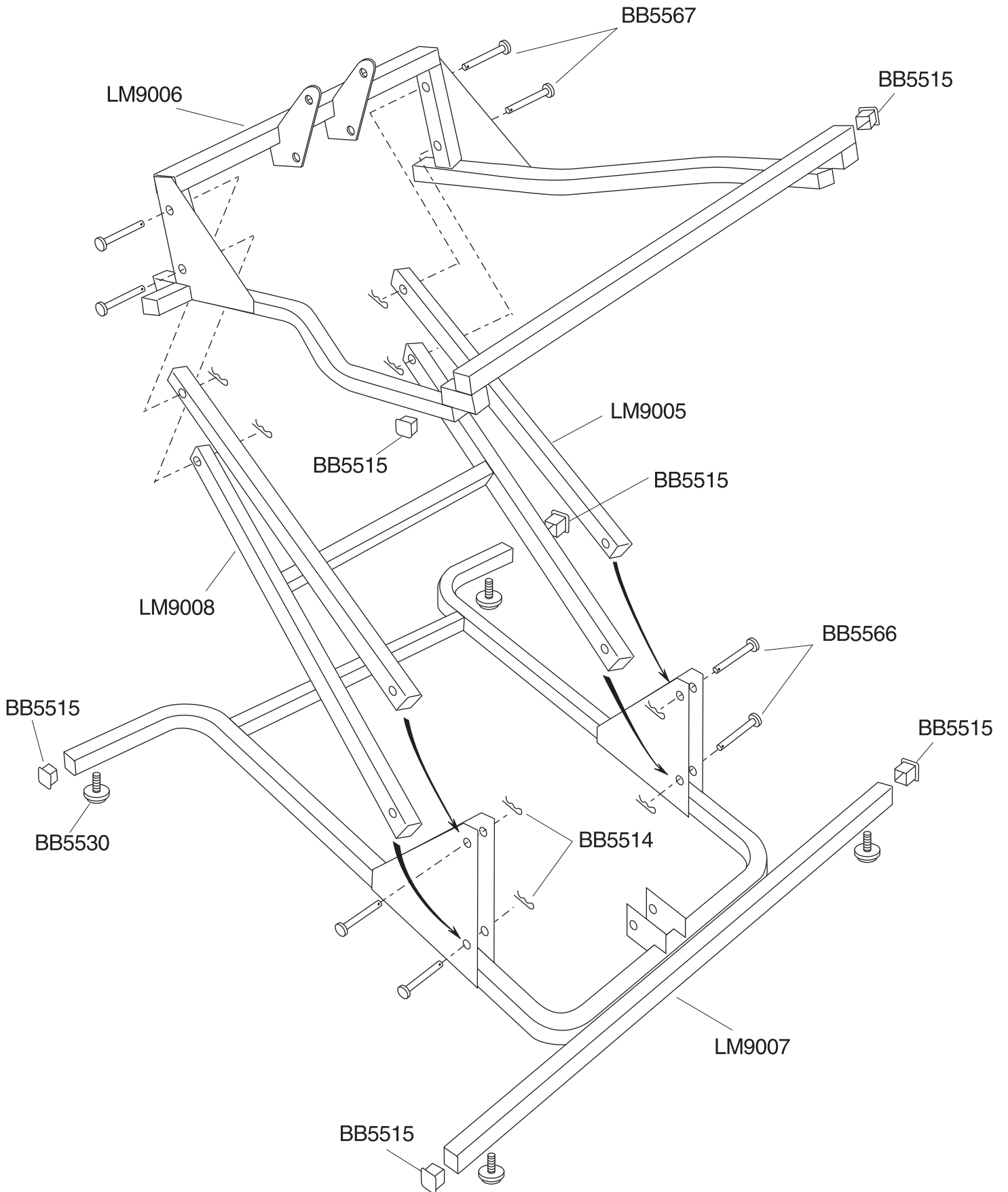
MISC. PARTS

BB5566	Clevis Pin 1 3/4 x 3/8
BB5567	Clevis Pin 2 5/8 x 3/8
BB5514	Hair Pin
BB5535	Nylon Washer 3/8 x 3/8 - 560 x 379 x 315
BB5530	Leg Leveler
BB5515	Square End Cap 1 x 1

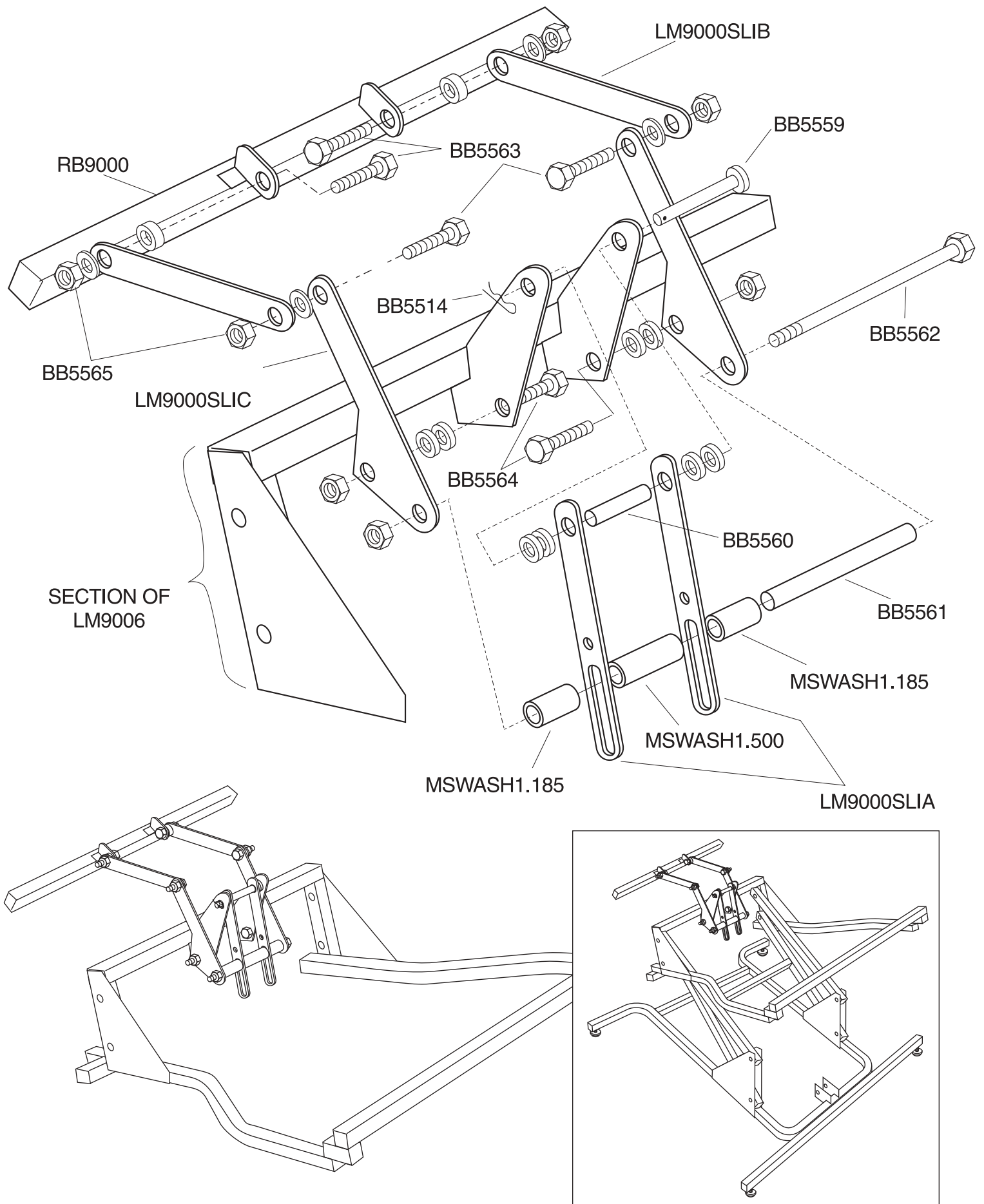
Lifetime Warranty

(R) Serial No. for this frame

LM9000 SERIES



LM9000 RECLINE ASSEMBLY



LM9000 FRAME

COMPONENTS	DESCRIPTION
LM9000	Lift Frame Complete
LM9005-9000	Straight Bars - LM9000
LM9006-9000	Top Piece - LM9000
LM9007-9000	Bottom Piece - LM9000
LM9008-9000	H-Bar - LM9000
LM9000SLI	Slides - LM9000
LM9000SLIA	Slotted Link Bar - LM9000
LM9000SLIB	Plain Link Bar - LM9000
LM9000SLIC	Paddle Shape Link Bar - LM9000
RB9000	Recline Bar - LM9000

MISC. PARTS

BB5559	Clevis Pin 2 1/4 x 3/8
BB5560	Steel Sleeves 1.5 x .365 x .5
BB5561	Steel Sleeves 4 x .375 x .5
BB5562	Hex Head Bolt 5 1/2 x 3/8 - GR. 5
BB5563	Hex Head Bolt 1 x 3/8
BB5564	Hex Head Bolt 1 1/2 x 3/8
BB5565	Lock Nut 1/4"
BB5566	Clevis Pin 1 3/4 x 3/8
BB5567	Clevis Pin 2 1/2 x 3/8
BB5514	Hair Pin
BB5515	End Cap 1 x 1
BB5530	Leg Leveler 1 x 5/16
MSMISBUSH	Cut Down Tubing for Bushings
MSWASH1.185	Nylon Washer
MSWASH1.500	Nylon Washer

MISCELLANEOUS PARTS

COMPONENTS	DESCRIPTION
BB5002	Cable Clap Screw- 3/4 Phillips
BB5509	White Cable Clamp- 1/4 ID
BB5557	Black Cable Clamp- Quick Release
BB5511	Brass Tack - French Nail
BB5505	Lock Nut - 1/4 ID
BB5506	Lock Washer - 1/4 ID
MS.25W	Metal Washer - 1/4 ID
MS2.5TP	Tap Bolt - 2 1/2 x 1/4
BB5533	T-Nut - 1/4 x 20 x 9/16
BB5009	Nylon Washer - 1/8 x 1/4 Hole

COMPONENTS	DESCRIPTION
BB5010	Acorn Nut - 1/4"
BB5518	Ty Wrap
MSBUTN	Back Button
MSBUTNN	Footboard Button
BB5520	Lag Screw - 2 1/2"
BB5521	Lag Screw - 1 1/4"
BB5003	Nylon Washer - 1/16 x 3/8
MSPOLYPAK	Nylon Sheets - 1 x 2 x 1/16
MS.50WL	Whiz Lock Bolt - 1/2"
MS.75WL	Whiz Lock Bolt - 3/4"
MS1.5WL	Whiz Lock Bolt - 1 1/2"
MS2.5WL	Whiz Lock Bolt - 2 1/2"
	Clevis Pin 4 1/2" x 3/8"