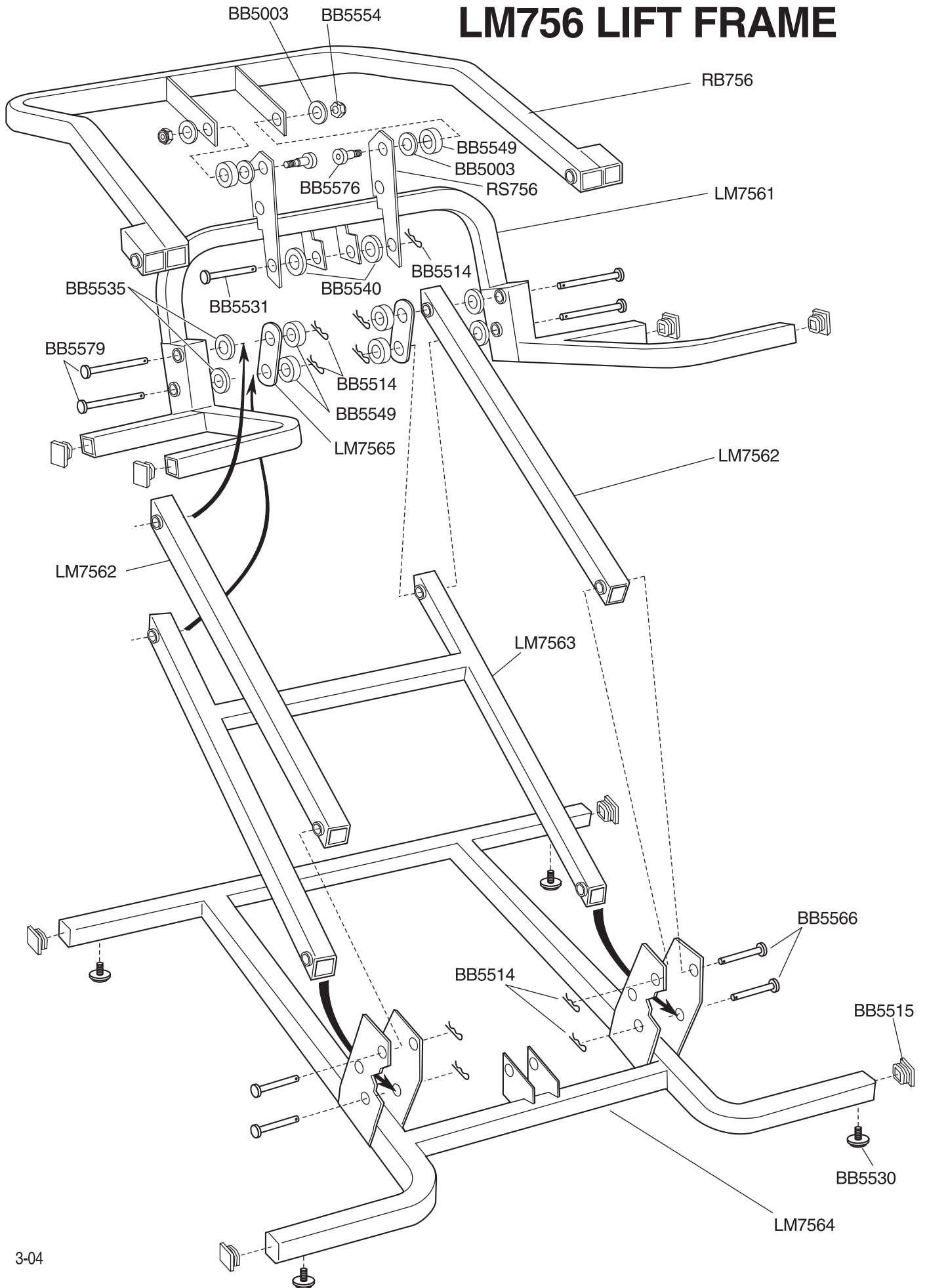
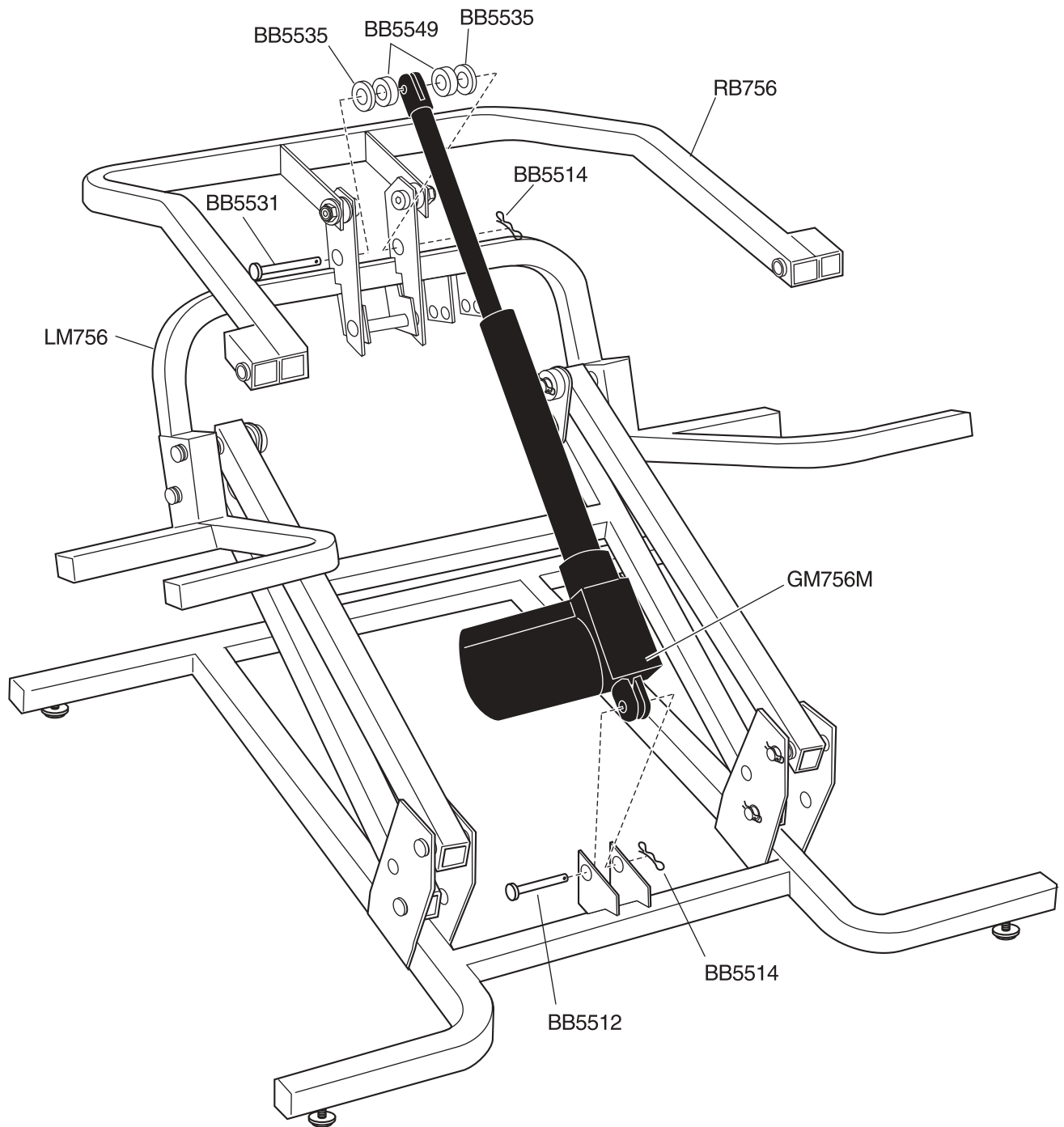


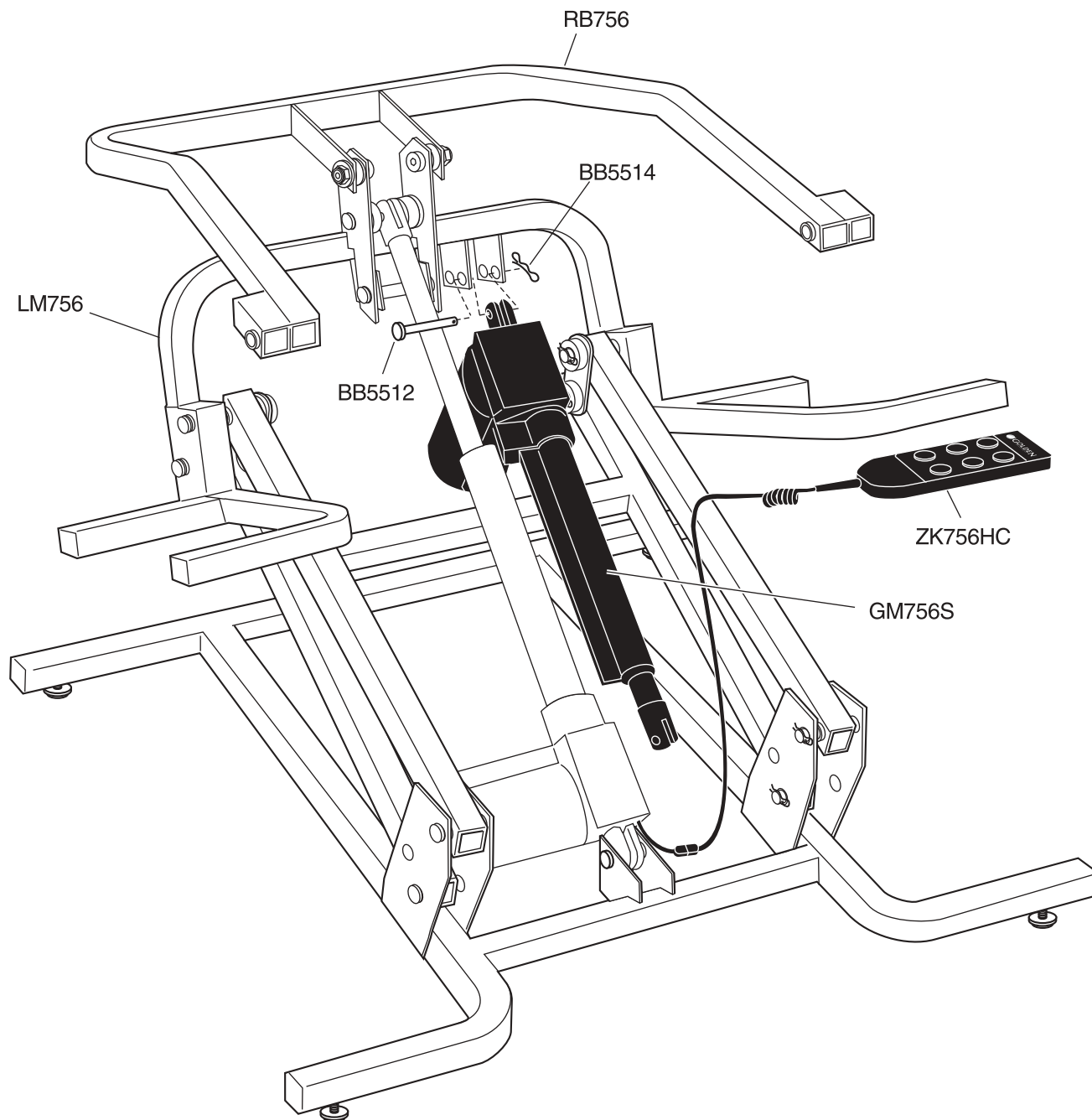
# LM756 LIFT FRAME



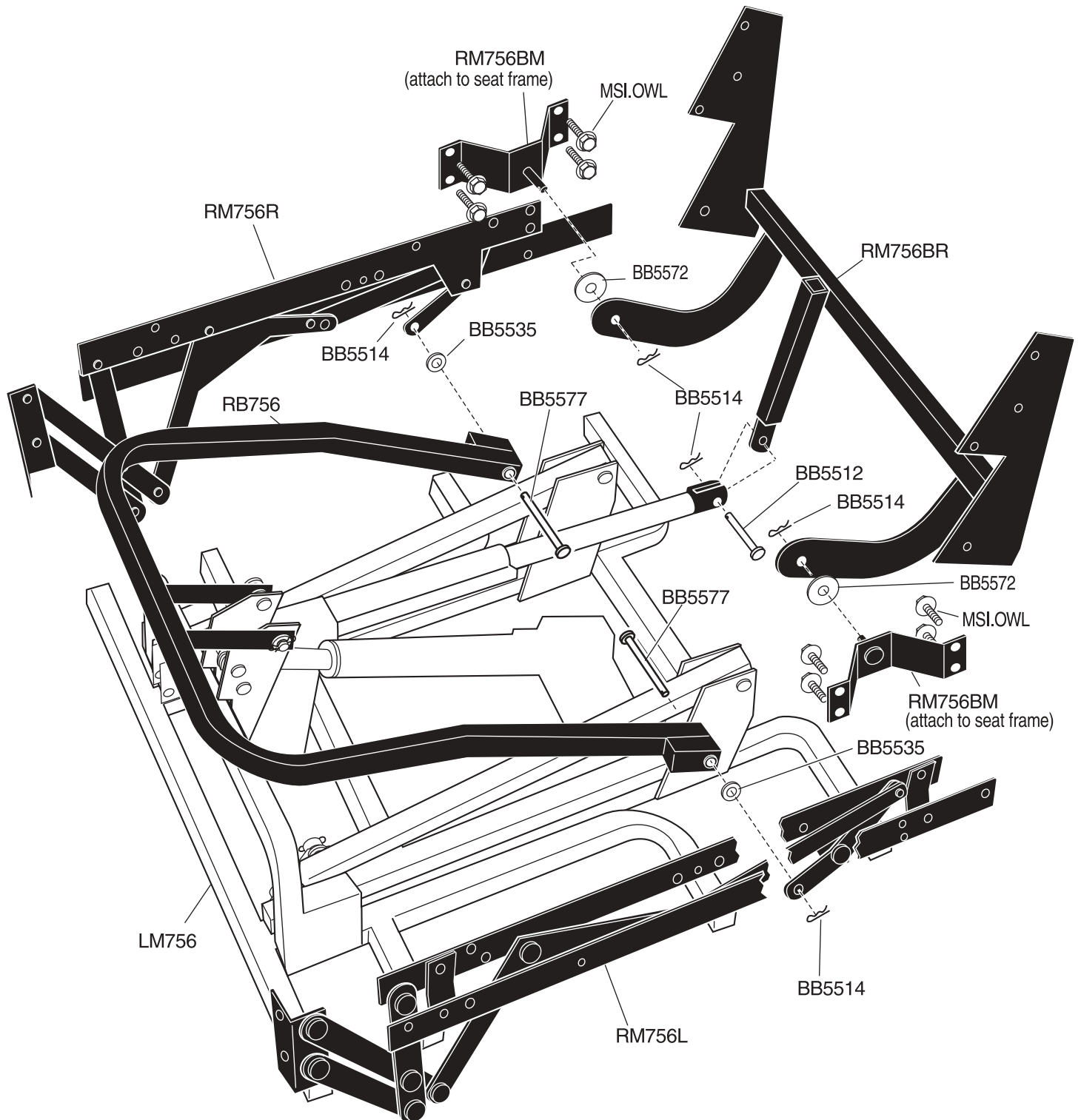
# LM756 LIFT MOTOR ASSEMBLY



# LM756 RECLINE MOTOR ASSEMBLY



# RM756 RECLINE MECHANISM



<b>LM756 LIFT FRAME PARTS LIST</b>		
<b>Part Number</b>	<b>Description</b>	<b>Qty. Per Unit</b>
BB5003	1/16" NYLON PLASTIC WASHER	4
BB5512	3/8" x 1-5/8" CLEVIS PIN	3
BB5514	HAIR PIN	15
BB5515	1 INCH SQUARE END CAP	8
BB5518	8 INCH TYWRAP	2
BB5530	5/16" x 1" LEG LEVELER	4
BB5531	3/8" x 2-1/2" CLEVIS PIN	1
BB5535	1/8" NYLON PLASTIC WASHER	8
BB5940	13/32" NYLON PLASTIC WASHER	2
BB5549	3/8" NYLON PLASTIC WASHER	8
BB5554	5/16" LOCK NUT	2
BB5566	3/8" x 1-3/4" CLEVIS PIN	4
BB5572	1-1/4" NYLON WASHER	2
BB5576	3/8" x 5/8" SHOUDER	2
BB5577	3/8" x 2-3/4" CLEVIS PIN	2
BB5579	3/8" x 2-7/8" CLEVIS PIN	4
GM756M	756 LIFT MOTOR MASTER	1
GM756S	756 LIFT MOTOR SLAVE	1
LIFT-756	COMPLETE 756 LIFT FRAME ASSEMBLY (Recline bar not included)	1
LM756	756 LIFT FRAME	1
LM7561	TOP PIECE 756 LIFT FRAME	1
LM7562	STRAIGHT BAR 756 SERIES LIFT FRAME	2
LM7563	H BAR 756 SERIES LIFT FRAME	1
LM7564	BASE PIECE 756 LIFT FRAME	1
LM7565	BRIDGE PLATE 756 SERIES LIFT	2
RS756	RECLINE STRAP 756 SERIES LIFT FRAME	2
ZK756HC	756 HAND CONTROL	1
<b>RECLINE BAR FOR 756 LIFT FRAME</b>		
RB756	RECLINE BAR 756 SERIES	1
<b>RECLINE MECHANISMS FOR 756 LIFT FRAME</b>		
RM756BM	RECLINE MECHANISM BACK MOUNT 756 SERIES	2
RM756BR	BACKRECLINE MECHANISM 756 SERIES	1
RM756L	RECLINE MECHANISM LEFT SIDE 756 SERIES	1
RM756R	RECLINE MECHANISM RIGHT SIDE 756 SERIES	1
LEFT AND RIGHT IS DETERMINED BY SITTING IN CHAIR		
<b>TRANSFORMER FOR 756 SERIES LIFT FRAME</b>		
GM1501	TRANSFORMER-D	1

CALL TECHNICAL SERVICE FOR FABRIC, FOAM, SPRING AND WOOD PART NUMBERS AND PRICING