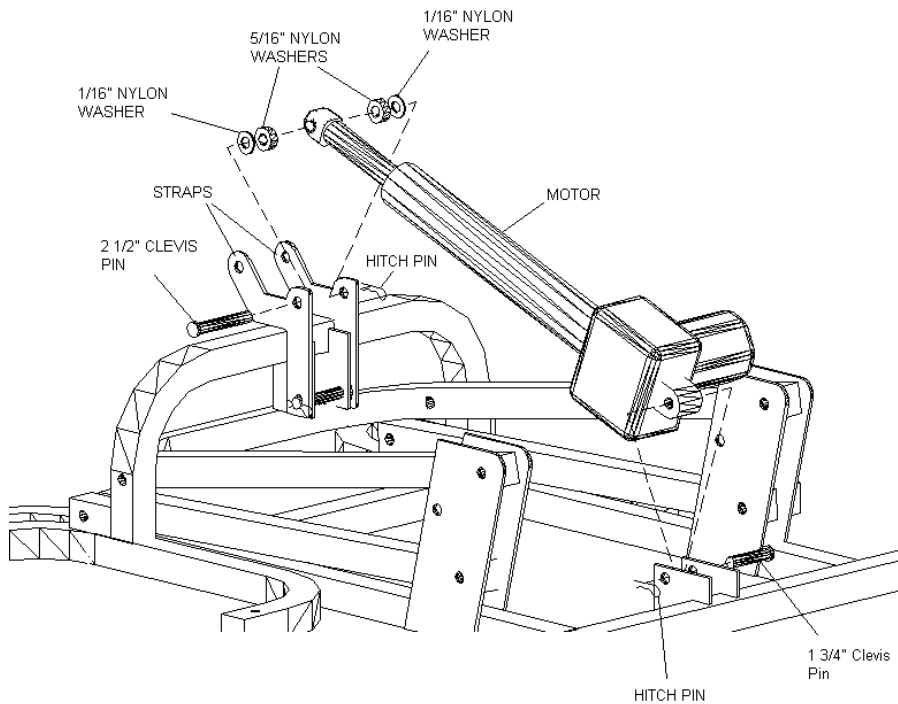


REPLACEMENT FRAME INSTALLATION



1. **Unplug the chair from the electrical outlet.**
2. Place the chair upside down.
3. Remove the old frame from the chair. This is done by, removing the mounting screws that attach the frame to the chair and removing the clevis pin that connects the straps to the recline-bar. **Before removing any cable ties, note the location and amount of slack in the cord. Do this for the hand control and power cord. You will need this information later.**
4. Remove the motor from the old frame.

FIG. 1

5. Install the motor into the new frame as shown in FIG. 1
6. Secure the power cord with a cable tie using the noted location(s) and amount of slack in the cord.
7. Run the motor to retract the straps from the frame. Now, run the motor in the extending direction, this will cause the straps to contact the frame. **This is the correct position for locating the frame in the chair.** Any further motor travel will start lifting the frame.
8. Place the new frame into the chair and connect the recline-bar as shown in FIG.2.

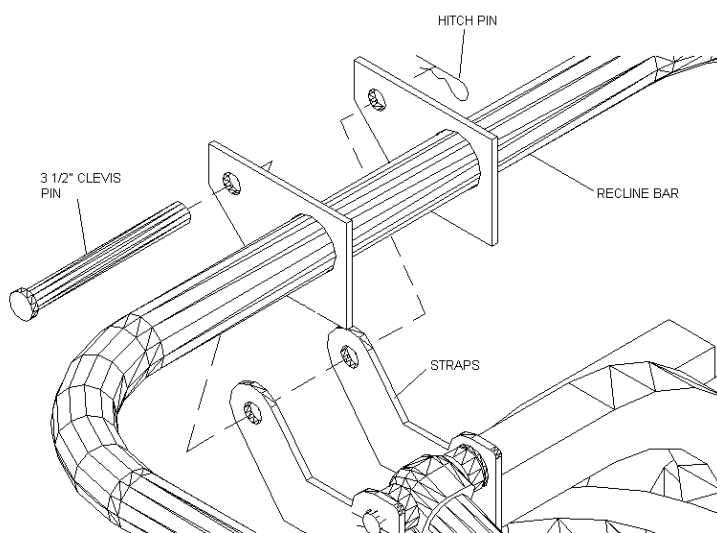


FIG. 2

9. **Make sure the chair is in the seated position. Check that the back is not reclined and the footboard is fully closed.**
10. Be certain the frame is positioned on center and square to the chair arms. Drill a pilot hole at each mounting location and install the mounting screws.
11. Secure the hand control cord with cable ties using the noted location(s) and amount of slack in the cord.