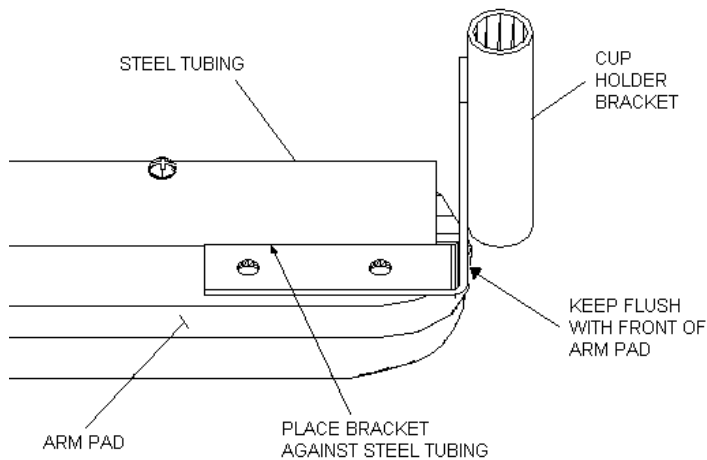


## CUP HOLDER BRACKET INSTALLATION FOR BUZZAROUND SCOOTER



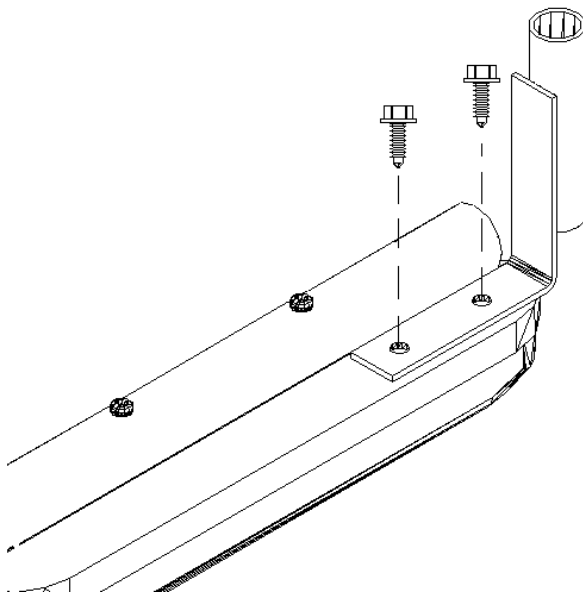
Two self-drilling screws are required.

**The length of the screws, under the head, must not be greater than 1/2".**

### INSTRUCTIONS:

1. Place the cup holder bracket as shown in FIG.1.
2. Using two screws, fasten the bracket to the arm pad (FIG.2).

**(FIG. 1)**  
**BOTTOM OF BUZZAROUND SCOOTER ARM**



**(FIG. 2)**  
**BOTTOM OF BUZZAROUND SCOOTER ARM**